



Gemini CD-310 Series 3.5" HDD Aluminum External Enclosure

User Manual

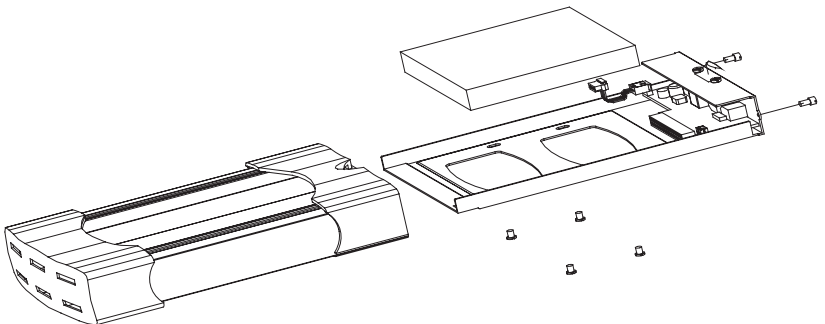
Model No.:

- ◆ CD-310-U2: IDE to USB2.0
- ◆ CD-310-FW: IDE to IEEE 1394
- ◆ CD-310-COMBO: IDE to USB2.0 & IEEE 1394

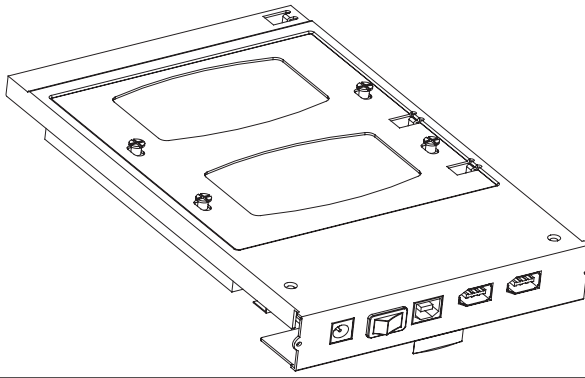
● CD-310 installation Guide

- Loosen the two screws from the back panel (Note: The two screws are special ones. Just loosen them partially then you can pull out the tray.)
- Connect the 4 pin power cord and the ATA data cable to the hard disk (See Picture 1)
- Use the enclosed screws to mount the hard drive on the tray (See Picture 2)
- After the hard disk is installed, slide the tray into the aluminum box and then tighten the screws.

(picture 1)



(picture 2)



● Hardware installation Guide

- Step 1: Adjust HDD jumper to “Master” position.
- Step 2: Format your internal hard drive before install it into External Enclosure.
- Step 3: Boot-up your computer into the operation system, make sure the USB2.0/IEEE 1394 port device has installed and available in operation system.
- Step 4: Plug the port connector of the USB2.0/IEEE 1394 cable into the USB2.0/IEEE 1394 Port of your External Drive
- Step 5: Plug the port connector of the USB2.0/IEEE 1394 cable into USB2.0/IEEE 1394 port of computer.
- Step 6: Plug the AC power cord to the inlet of your USB2.0/IEEE 1394 External Enclosure and power on the drive.
Your USB2.0/IEEE 1394 External Drive will be ready to use.
- Step 7: Follow the Software Installation for the next.

● **Software Installation Guide**

◆ **Windows 98SE:**

When you plug your device into the USB2.0/IEEE 1394 controller, the OS should determine a new device has been plugged in and will bring up the new hardware wizard window. From here you will need to specify the location of the driver and then browse to the location where you modified the .inf file. The OS will search through the .inf file and find your VID/PID. From this information it will know how to load the Cypress driver. If the hardware is functioning properly the device should now be ready for use. If the new drive doesn't appear in My Computer, it means this USB2.0/IEEE1394 External Drive is a whole new hard disk which doesn't contain any partition, please refer to the Partition the USB2.0/IEEE1394 External Hard Disk chapter to prepare your USB2.0/IEEE1394 Hard Disk.

■ **Windows Me, 2000 and XP**

- ▶ Step 1: If you are plugging the USB2.0/IEEE1394 External Drive into your computer, for the first time, system will detect USB2.0/IEEE1394 Storage Device and install the driver of [USB2.0/IEEE1394 Mass Storage Device] from system files automatically.
- ▶ Step 2: After the system installed the driver of USB mass storage device. Double click on My Computer, a new drive Disk is added in a few seconds, it is the USB2.0/IEEE1394 External Drive which just installed. This USB2.0/IEEE1394 External Drive is supported by Mass Storage Device in windows Me/2000 system directly. You don't need to install any driver which doesn't contain any partition. Please refer to the Partition the USB2.0/IEEE1394 External Drive chapter to prepare your USB2.0/IEEE1394 External Drive.

■ **Mac OS**

- ▶ Step 1: After the system boots up, insert the XF1 external enclosure Install Driver in your CD-ROM drive. Double click the "USB2.0 or IEEE1394 SETUP" icon, and double click "install USB driver icon automatically.

- ▶ Step 2: After you plug the USB2.0/IEEE1394 External Drive into USB2.0/IEEE1394 port of computer, the [Add New Hardware Wizard] dialog box appears right automatically.
- ▶ Step 3: Click on [Next], select [The best driver for your device], and click on [Next].
- ▶ Step 4: select [CD-ROM or HDD] and click on [Next], a screen should be appears as right, click on [Next].
- ▶ Step 5: After the need files are copied into your main hard disk, the screen appears as right, click on [Finish] to complete the process.
- ▶ Step 6: After the system install the link driver into your system. Double check on [My Computer], a new drive Disk is added, it is the USB2.0 External Drive which just installed. A green Unplug or Eject hardware icon will appear in system tray.

● PARTITION THE EXTERNAL USB2.0 HARD DISK

■ Partition under Windows 98SE/ME:

Boot-up the computer Windows 98SE/ME system. Plug your USB2.0/IEEE1394 Hard Disk Drive. There are two methods to partition and format your USB2.0 Hard Disk Drive.

▶ Method 1.

- ◆ Step 1: Click on [start], choice the [control panel] in [setting], double click [system] and open [hard disk]. A screen appears as right.
- ◆ Step 2: You can see the USB2.0 hard Disk you just add. High light the USB Hard Disk and choice the [property], select [setting]. setting the USB2.0 Hard Disk to [removable].
- ◆ Step 3: After the system, a removable HDD is added to [My Computer]. Choice the removable HDD and click right bottom of mouse. Select the [format] to format your USB2.0 Hard Disk Drive to one partition in this method.

► Method 2.

- ◆ Step 1: Go into the MS-DOS mode by click on [start], choice the [MS-DOS Prompt] in [Programs]
- ◆ Step 2: At the DOS prompt, type [FDISK] and press Enter.
- ◆ Step 3: If FDISK quit without any message, back to the Windows 98 screen, plug out the USB2.0 Hard Disk, re-boot computer, plug in USB2.0 HDD again and go back to step 1 to proceed.
- ◆ Step 4: In the first screen of FDISK, answer the questions:
[Y] if you want to build a partition larger than 2GB.
[N] if you want to build a partition small then 2GB.
- ◆ Step 5: The next screen is [FDISK OPTIONS], and types “5” to select disk.

IMPORTANT:

You must type [5] in this screen to change the current fixed disk drive to build partition. The default fixed drive set by FDISK is your internal hard disk, if you don't change the fixed disk drive to the USB2.0 or IEEE1394 Hard Disk, the data of your internal hard disk will be destroyed.

- ◆ Step 6: In the [Change Current Fixed Disk Drive], type the disk drive number that assigned to the USB2.0/IEEE 1394 Hard Disk.
- ◆ Step 7: Back to FDISK, back to the Windows screen, plug out and plug in USB2.0 or IEEE1394 Hard Disk again to activate these changes, Double click on [My Computer] icon, the USB2.0 or IEEE1394 Hard Disk Drive that you already partitioned will appear.

■ Partition under Windows 2000

- ◆ Step 1: To partition the USB2.0 or IEEE1394 Hard Disk Drive under Windows 2000, please plug the USB2.0 or IEEE1394 Hard Disk, then click on [Start], choose the [Control Panel] in [Settings], open [Administrative Tools], double click [Computer Management], a window appears as right.
- ◆ Step 2: Click on [Disk Management] on the left part of this window, all connected disk drives will be listed in the right part. Find out the USB2.0 or IEEE1394 Hard Disk that you add. On the right of disk# is the status of the partitions of this disk drive, you can create a new or delete an exist partition by right-click on this area.
- ◆ Step 3: Right-click on the right area of USB2.0 or IEEE1394 Hard Disk Drive, clock on [Create Partition.....]. The “Create partition wizard” will appears.
- ◆ Step 4: Following the instructions of wizard to partition and format your USB2.0 or IEEE1394 Hard Disk Drive. Now, you have built a partition in the USB2.0 or IEEE1394 Hard Disk Drive, you can write data to it.

For more information, please kindly go to www.coolmaxusa.com or email to support@coolmaxusa.com for technical support!

Copyright 2004 CoolMax Technology Co., All Rights Reserved.