

5.25" CD-ROM ENCLOSURE

User's Manual

Model NO:

Interface:

CD-510-U2

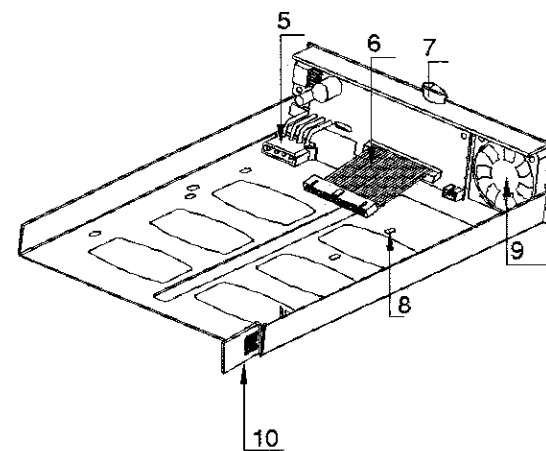
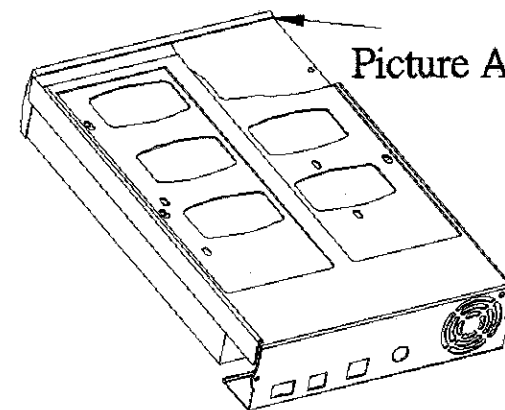
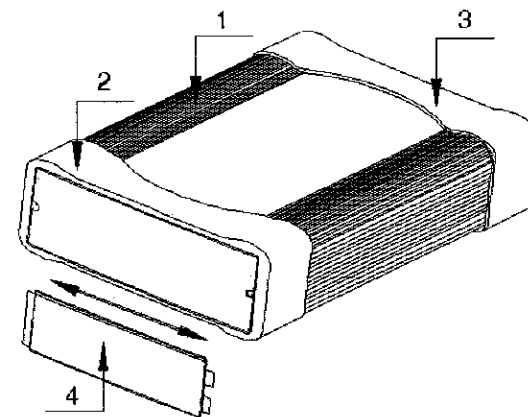
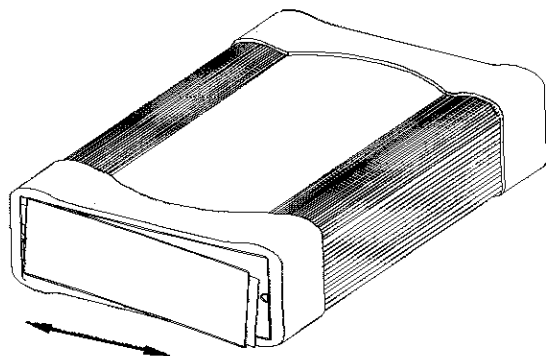
IDE to USB2.0

CD-510-FW

IDE to IEEE 1394

CD-510-Combo

IDE to USB2.0 & 1394



Features :

- * Aluminum, sliding tray design, for CD-ROM, CD-RW, DVD & HDD
- * Solid, portable & easy installation
- * Stereo earphone
- * Support plug and play
- * Cooling fan for air ventilation & heat sink
- * No need of side bracket for mounting HDD

1. Aluminum body

2. Front cover

3. Rear cover

4. Front panel

5. 5V/12V Power

6. IDE data cable

(2)

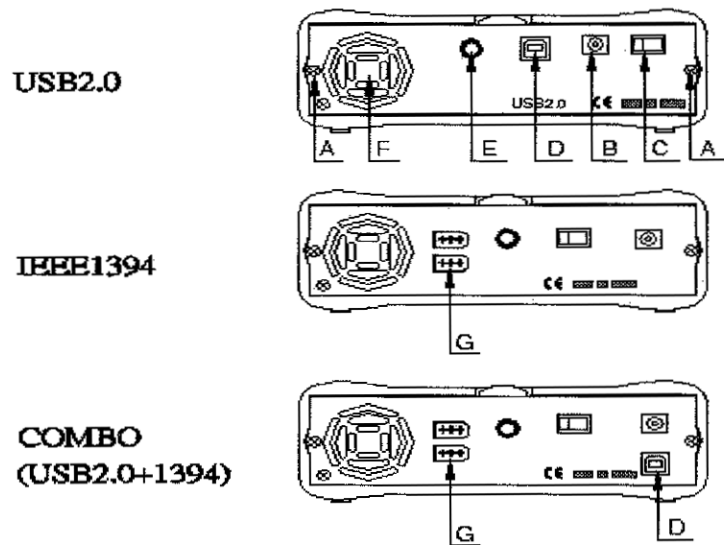
(1)

- 7. Press button
- 8. Mounting holes
- 9. Cooling fan
- 10.LED(Green: for power on, Orange color blinking for HDD access.)

Install your device(CD-ROM/RW,DVD or HDD)

- 1.Loose the two screws from the rear plate.(Note: The two screws are special ones; you don't have to loose them completely to slide out the tray. Just loose these two screws, and you can pull out the tray.)
- 2.Press the front panel and push it left/right forward to open the front panel. And the device has to be even with the metal part of the bracket [see pic.A]
- 3.Connect the 4pin power and the data cable[see pic.5,6]
- 4.Use the enclosed screws to mount the device on the tray[see pic.8]
- 5.After the device is installed, slide the tray into the aluminum box and then fasten the two screws properly on the box.

Rear View

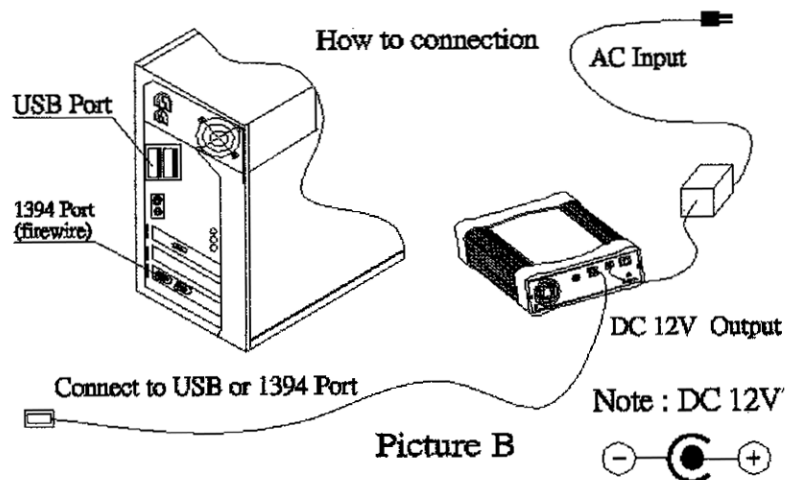


- A. Screw
- B. DC Power Jack
- C. Power switch
- D. USB Port
- E. Audio output
- F. FAN
- G. 1394 Port

(3)

Connection with PC (See picture.B)

1. Use the data cable to connect ports between the 5.25" device and PC. If device is USB type, use the USB data cable. Or use 1394(firewire) cable when device is 1394(firewire). [Note: Do not use USB and 1394 connections at the same time. It might encounter unexpected problem].
2. Connect the power adapter and turn on the switch.



Power specs:

Input :100-240V/AC, 0.6A Output: 12V/DC, 1.7A

LED indication:

A) Power on: Green B) Access: Orange(blinking)

System requirement:

* Windows 98SE/ME/2000/XP, Mac 9.0 & higher.

Note:

* LED lit on but it does not work-

Check I/O switch to know if the power is working normal.The standard output is 12V. if using other power adapter, be sure to check the +/- current. If it is connected reversed, it will result in data loss, breakdown and unexpected problems.

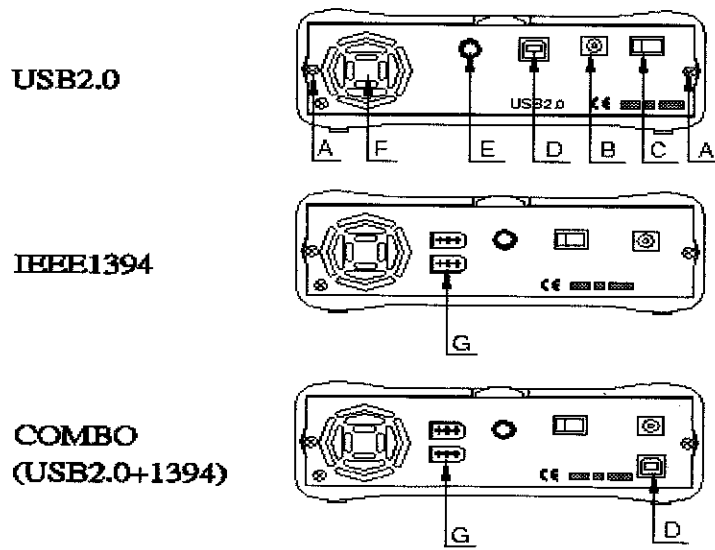
(4)

- 7. Press button
- 8. Mounting holes
- 9. Cooling fan
- 10.LED(Green: for power on, Orange color blinking for HDD access.)

Install your device(CD-ROM/RW,DVD or HDD)

- 1.Loose the two screws from the rear plate.(Note: The two screws are special ones; you don't have to loose them completely to slide out the tray. Just loose these two screws, and you can pull out the tray.)
- 2.Press the front panel and push it left/right forward to open the front panel. And the device has to be even with the metal part of the bracket [see pic.A]
- 3.Connect the 4pin power and the data cable[see pic.5,6]
- 4.Use the enclosed screws to mount the device on the tray[see pic.8]
- 5.After the device is installed, slide the tray into the aluminum box and then fasten the two screws properly on the box.

Rear View

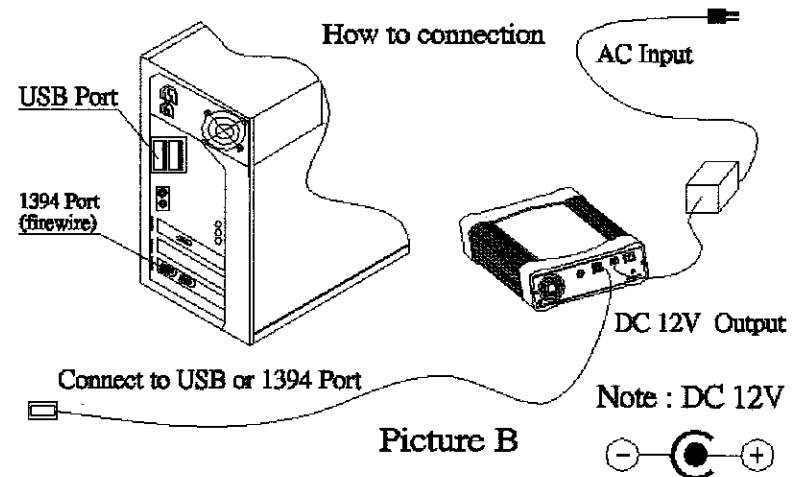


- A. Screw
- B. DC Power Jack
- C. Power switch
- D. USB Port
- E. Audio output
- F. FAN
- G. 1394 Port

(3)

Connection with PC (See picture.B)

1. Use the data cable to connect ports between the 5.25" device and PC. If device is USB type, use the USB data cable. Or use 1394(firewire) cable when device is 1394(firewire). [Note: Do not use USB and 1394 connections at the same time. It might encounter unexpected problem].
2. Connect the power adapter and turn on the switch.



Power specs:

Input :100-240V/AC, 0.6A Output: 12V/DC, 1.7A

LED indication:

A) Power on: Green B) Access: Orange(blinking)

System requirement:

* Windows 98SE/ME/2000/XP, Mac 9.0 & higher.

Note:

* LED lit on but it does not work-

Check I/O switch to know if the power is working normal.The standard output is 12V. if using other power adapter, be sure to check the +/- current. If it is connected reversed, it will result in data loss, breakdown and unexpected problems.

(4)

* Check to know if the driver is installed properly. You have to remove the driver and then to install the driver again, if driver isn't installed completely.

HARDWARE INSTALLATION

Step 1: Boot-up your computer into the operation system, make sure the USB/USB2.0 port device has installed and available in operation system.

Step 2: Plug the port connector of the USB cable into the USB Port of your USB2.0 External Drive.

Step 3: Plug the port connector of the USB cable into USB port of computer.

Step 4: Plug the AC power cord to the inlet of your USB2.0 External Drive and power on the drive. Your USB2.0 External Drive will be ready to use.

Step 5: Follow the Software Installation for the next.

A) Windows 98SE:

When you plug your device into the USB2.0 controller, the OS should determine a new device has been plugged in and will bring up the new hardware wizard window. From here you will need to specify the location of the driver and then browse to the location where you have modified the .inf file. The OS will search through the .inf file and find your VID/PID. From this information it will know how to load the Cypress driver. If the hardware is functioning properly the device should now be ready for use. If the new drive doesn't appear in My Computer, it means this USB2.0 External Drive is a whole new hard disk drive which doesn't contain any partition, please refer to the Partition the USB2.0 External Hard Disk chapter to prepare your USB2.0 Hard Disk.

(5)

B) Windows Me,2000 and XP

Step 1: If you are plugging the USB External Drive into your computer for the first time, system will detect USB2.0 Storage Device and install the driver of [USB Mass Storage Device] from system files automatically.

Step 2: After the system installed the driver of USB mass storage device. Double click on My Computer, a new drive Disk is added in a few seconds, it is the USB2.0 External Drive which just installed. This USB2.0 External Drive is supported by Mass Storage Device in windows Me/2000 system directly. You don't need to install any drivers. If the USB2.0 External Hard Disk is a whole new disk drive which doesn't contain any partition. please refer to the Partition the USB2.0 External Hard Disk chapter to prepare your USB2.0 External Disk.

Mac OS

Step 1: After the system boots up , insert the USB2.0 Install Disk in your floppy drive Double click the "USB2.0 SETUP " icon, and double click "USB installer" icon.

Step 2: After you plug the USB2.0 External Drive into USB port of computer, the [Add New Hardware Wizard] dialog box appears right.

Step 3: Click on [Next], select [The best driver for your device], and click on [Next].

Step 4: select [CD-ROM or HDD] and click on [Next], a screen should be appears as right, click on [Next].

Step 5: After the need files are copied into your main hard disk, the screen appears as right, click on [Finish] to complete the process.

Step 6: After the system install the link driver into your system. Double click on [My Computer], a new drive Disk is added , it is the USB2.0 External Drive which just installed. A green Unplug or Eject hardware icon will appear in system tray.

(6)

PARTITION THE EXTERNAL USB2.0 HARD DISK

Partition under Windows 98SE/ME

Boot-up the computer into Windows 98SE/ME system. Plug your USB2.0 Hard Disk Drive. There are two methods to partition and format your USB2.0 Hard Disk Drive.

Method 1.

Step 1: Click on [start], choice the [control panel] in [setting],double click [system] and open [hard disk]. A screen appears as right.

Step 2: You can see the USB2.0 hard Disk you just add. High light the USB Hard Disk and choice the [property], select [setting]. setting the USB2.0 Hard Disk to [removable],

Step 3: After restart the system, a removable HDD is added to [My Computer]. Choice the removable HDD and click right bottom of mouse. Select the [format] to format your USB2.0 Hard Disk Drive. You only can set the USB2.0 Hard Disk Drive to one partition in this method.

Method 2

Step 1: Go into the MS-DOS mode by click on [Start], choice the [MS-DOS Prompt] in [Programs]

Step 2: At the DOS prompt, type [FDISK] and press Enter.

Step 3: If FDISK quit without any message, back to the Windows 98 screen, plug out the USB2.0 Hard Disk, re-boot computer, plug in USB2.0 HDD again and go back to step 1 to proceed.

Step 4: In the first screen of FDISK, answer the question:

Do you want to enable large disk support ?

[Y] if you want to build a partition larger than 2GB.

[N] if you want to build a partition small than 2GB.

Step 5: The next screen is [FDSIK OPTIONS], and type "5" to select disk.

(7)

IMPORTANT:

you must type [5] in this screen to change the current fixed disk drive to build partition. the default fixed drive set by FDISK is your internal hard disk, if you don't change the fixed disk drive to the USB2.0 Hard Disk, the data of your internal hard disk will be destroyed.

Step 6: In the-[Change Current Fixed Disk Drive], type the disk drive number that assigned to the USB2.0 Hard Disk.

Step7: Back to [FDISK OPTIONS] screen, Now you can create or delete the partition of the USB2.0 Hard Disk.

Step 8: After you finish FDISK, back to the Windows screen, plug out and plug in USB2.0 Hard Disk again to activate these changes, Double click on [My Computer] icon, the USB2.0 Hard Disk Drive that you already partitioned will appear.

Partition under Windows 2000

Step 1: To partition the USB2.0 Hard Disk Drive under Windows 2000, please plug The USB2.0 Hard Disk , then click on [Start], choice the [Control Panel] in [Settings], open [Administrative Tools], double click [Computer Management], A window appears as right.

Step 2: Click on [Disk Management] on the left part of this window, all connected disk drives will be listed in the right part. Find out the USB2.0 Hard Disk that you add. On the right of disk # is the status of the partitions of this disk drive, you can create a new or delete an exist partition by right-click on this area.

Step 3: Right-click on the right area of USB2.0 Hard Disk Drive, click on [Create Partition....]. the " Create partition wizard " will appears.

Step4 Following the instructions of wizard to partition and format your USB2.0 Hard Disk Drive. Now, you have built a partition in the USB2.0 Hard Disk Drive, you can write data to it.

(8)